

COMMODORE TU-803 TRACTOR UNIT FOR 803



USER'S GUIDE

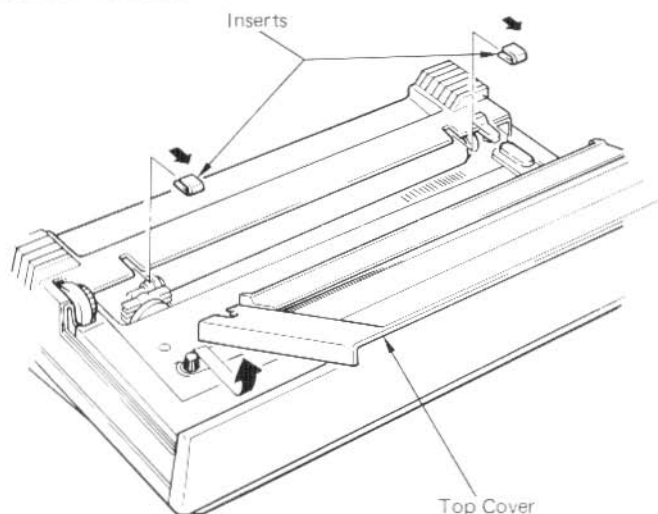
 **commodore**
COMPUTERS

The TU-803 Tractor Unit for the MPS-803

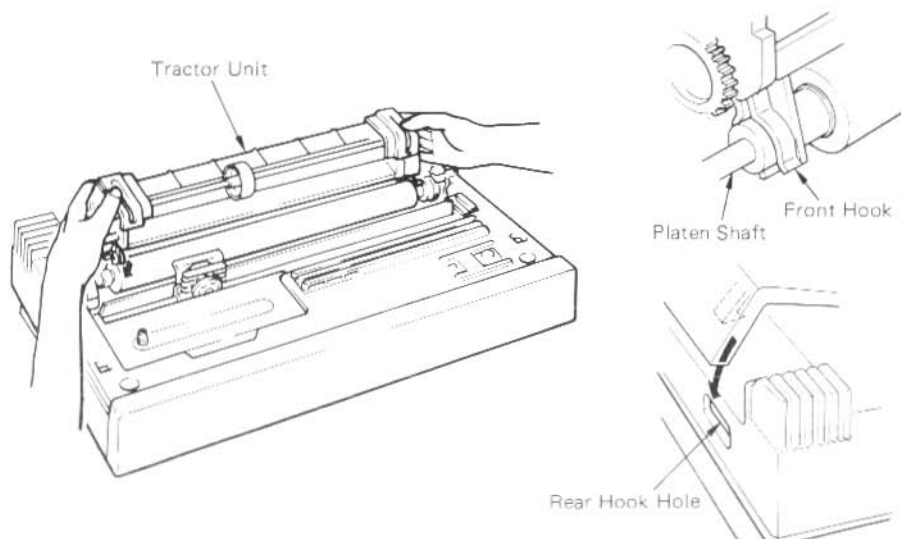
The TU-803 is a tractor unit to attach to the MPS-803 Dot Matrix Printer. With this tractor unit, fan-fold paper can be used with the MPS-803.

How To Attach the TU-803

- a) Remove the top cover of the MPS-803 printer. Remove two inserts by pulling them forward.

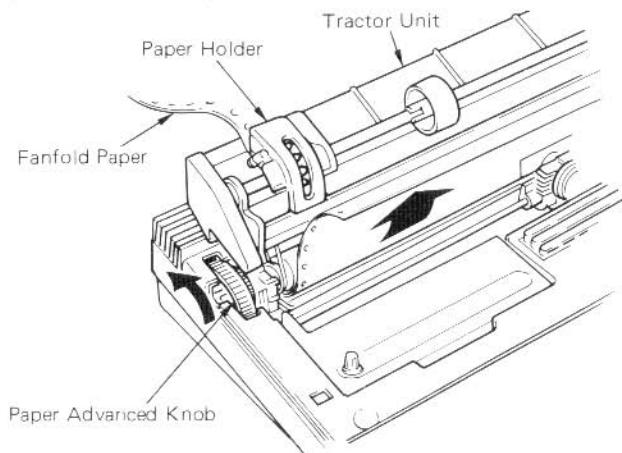


- b) Insert the front hooks of the tractor unit into the holes where the inserts were located previously, and securely fix the unit onto the platen shaft. Engage the rear hooks to the holes at the back of the printer.

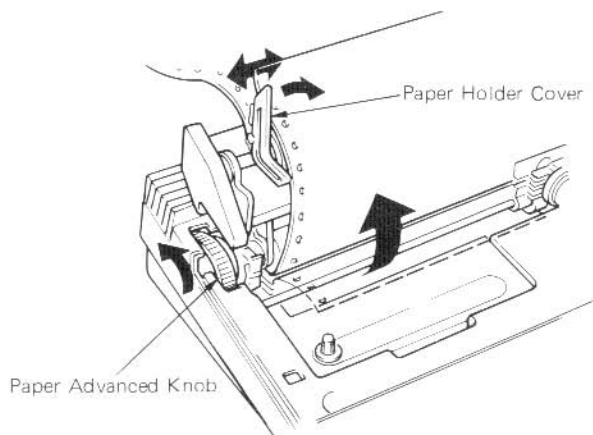


How To Load The Fan-fold Paper

- a) Set the paper release lever to the closed position and then insert the fan-fold paper into the paper loading slit. Turn the paper advanced knob until the paper can reach the sprockets on the top.



- b) Adjust the sprocket position to fit with paper width. If the sprocket pins do not engage with the sprocket holes, move the paper holder to fit. Close the paper holder cover and push the paper release lever to OPEN.



- c) Turn the paper advanced knob and set the paper to the print start position.

NOTE:

- 1) After the paper setting, press the paper advance key and feed the paper with one line. (This is to avoid irregular spacing between the 1st and 2nd lines.)
- 2) Always set the paper release lever to OPEN when using tractor. (Set the lever to CLOSE when the tractor unit is not used.)

 **commodore**
COMPUTERS

Printed in Japan